

# Alfa Laval LKH Evap

## Centrifugal pumps

### Introduction

The Alfa Laval LKH Evap Centrifugal Pump is a premium pump for use in hygienic applications. As a low-NPSHr, high-efficiency centrifugal pump, the LKH Evap is a tailored evaporator pump supported by strong and extensive documentation, including a comprehensive vacuum curve package. It features a special scraper impeller, ClearFlow, that solves the product buildup problem in high solids applications, which can prolong production time between cleaning.

Precision-engineered, the LKH Evap pump delivers greater energy efficiency than similar pumps. Its optimized design, premium motor, tight tolerances and advanced impeller design minimize recirculation and reduce energy consumption.

### Applications

The LKH Evap Centrifugal Pump is designed for hygienic applications across the dairy, food, beverage, brewery, alcohol, ethanol, starch and chemical industries. It is ideal for use in evaporation duties for applications, such as liquid concentration and powder processing as well as plant and equipment dewatering.

The LKH Evap pump is available in 10 sizes to handle capacities up to 280 m<sup>3</sup>/h and differential pressures up to 11 bar at 50 Hz.

### Benefits

- Energy efficient: superior efficiency resulting in reduced energy consumption and CO<sub>2</sub> footprint.
- Hygienic: designed according to the most stringent hygienic design standards and with verified and effective Cleaning-in-Place.
- Low NPSHr: reduced NPSHr enables optimized system designs.
- Maximized uptime and reduced maintenance costs: robust mechanical design and ease of maintenance with modular front-loading seals.

### Standard design

All media contacting steel components like pump casing, impeller, impeller nut and backplate are in W. 1.4404 (AISI 316L). A stainless steel shroud protects the motor and four adjustable stainless steel legs support the complete unit.



A compression coupling securely attaches the stub shaft to the motor shaft with precision alignment, and the semi-open impeller with a special vane design ensures efficient and gentle handling of the product as it moves through the pump.

As standard, the LKH Evap pump is equipped with a single mechanical shaft seal but is also available with a single flushed or a double mechanical shaft seal. The front-loading shaft seal, with the spring and washers mounted on the atmospheric side, makes maintenance fast, easy and inexpensive. It takes just a few minutes to replace the shaft seal. In addition, the balanced design minimizes the risk of seal opening during unforeseen pressure shock.

LKH Evap is available with the Clear Flow Impeller which is to be used in applications where there is a risk of building up a hard layer of product between impeller and backplate.

## TECHNICAL DATA

### Materials

Product wetted steel parts:	W. 1.4404 (316L)
Other steel parts:	Stainless steel
Inside surface finish:	Standard blasted
Product wetted elastomers:	EPDM
Rotary seal face:	Carbon
Stationary seal face:	Silicon Carbide

### Motor

Foot-flanged motor according to the IEC metric standard, 2 poles = 3000/3600 rpm at 50/60 Hz, 4 poles = 1500/1800 rpm at 50/60 Hz, IP 55 (with drain hole with labyrinth plug), insulation class F.

### Motor sizes

50Hz:	1.5 - 75 kW
60Hz:	1.2 - 80 kW

### Min/max motor speed

2 poles: 1.5 - 45 kW:	900 - 4000 rpm
2 poles: 55 - 75 kW:	900 - 3600 rpm
4 poles: 1.5 - 75 kW:	900 - 2200 rpm

### Warranty

Extended 3-years warranty on LKH Evap pumps. The warranty covers all non wear parts on the condition that genuine Alfa Laval Spare Parts are used.

## OPERATING DATA

### Max inlet pressure

LKH Evap 10 - 70:	1000kPa (10 bar)
LKH Evap 70, 60Hz:	500kPa (5 bar)

### Temperature

Temperature range:	-10°C to +140°C (EPDM)
Flush media:	Max 70°C

### Flushed shaft seal

Water pressure inlet:	Max. 1 bar
Water consumption:	0.25 - 0.5 l/min

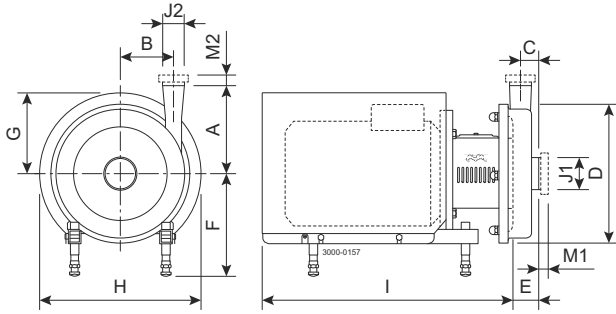
### Double mechanical shaft seal

Water pressure inlet, LKH Evap 10 to 60:	Max. 500 kPa (5 bar)
Water pressure inlet, LKH Evap 70:	Max. 300 kPa (3 bar)
Water consumption:	0.25 - 0.5 l/min

### Connections for flushed and double mechanical shaft seal

LKH Evap 10 - 70:	1/8" G
-------------------	--------

## Dimensions



## Pump specific measures (mm)

Pump Model	LKHevap-10	LKHevap-15	LKHevap-20	LKHevap-25	LKHevap-35	LKHevap-40	LKHevap-45	LKHevap-50	LKHevap-60	LKHevap-70
A	142	166	180	193	193	212	212	205	261	254
B	87	66	88	106	119	126	126	118	102	147
C	23	43	27	32	23	28	28	35	62	25
D	247	247	253	303	303	329	329	329	329	408
E	51	87	63	69	54	64	64	77	106	76

## Motor specific measures (mm)

Motor IEC	IEC90	IEC100	IEC112	IEC132	IEC160	IEC180	IEC200	IEC250
Motor kW	1.5/2.2	3.0	4.0	5.5/7.5	11/15/18.5	22	30/37/45	55/75
F(max) <sup>1</sup>	262	282	285	304	332	352	372	446
G	157	185	198	196	262	286	399	394
H	288	325	359	383	485	533	670	738
I (LKHevap-10 to LKHevap-60)	434	556	497	607	789	842	980	-
I (LKHevap-70)	-	-	-	-	804	855	993	1051

<sup>1</sup> Possible to reduce dimension F by min. 59 mm for all pump models. For smaller models it will be possible to reduce dimension F even further.

## Motor overview

Pump Model	LKHevap-10	LKHevap-15	LKHevap-20	LKHevap-25	LKHevap-35	LKHevap-40	LKHevap-45	LKHevap-50	LKHevap-60	LKHevap-70
Motor range (IEC)	IEC90-IEC112	IEC100-IEC132	IEC90-IEC132	IEC132-IEC160	IEC112-IEC160	IEC132-IEC180	IEC112-IEC160	IEC132-IEC180	IEC132-IEC200	IEC132-IEC250



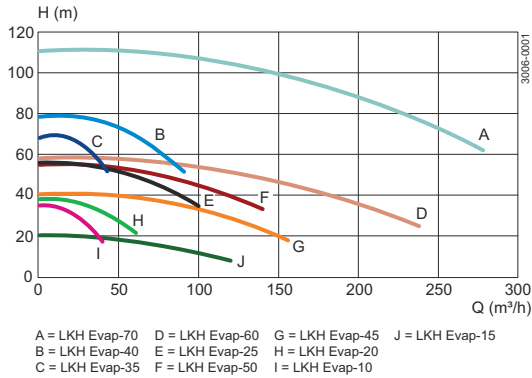
**Note!** Dimensional data are based on 2 pole, ABB motors.

## Connections (mm)

Pump Model	LKHevap-10	LKHevap-15	LKHevap-20	LKHevap-25	LKHevap-35	LKHevap-40	LKHevap-45	LKHevap-50	LKHevap-60	LKHevap-70
Clamp ISO 2037	M1	21	21	102	21	21	21	21	102	
	M2	21	21	21	21	12	21	21	21	
Union ISO(IDF)	M1	21	21	102	21	21	21	21	102	
	M2	21	21	21	21	21	21	21	21	
Union DIN/ISO	M1	25	30	111	30	30	30	30	111	
	M2	22	30	30	25	27	30	30	30	
Union SMS	M1	24	35	105	24	24	35	105		
	M2	20	24	24	24	24	35	35		
Union (BS)RJT	M1	27	32	108	27	27	32	108		
	M2	27	27	27	27	22	32	32		
Union DS	M1	24	24	105	24	24	24	105		
	M2	20	24	24	24	21	24	24		
Union DIN/DIN	M1	25	30	111	30	30	30	111		
	M2	22	30	30	25	27	30	30		
J1 <sup>1</sup>		63,5 / 2,5"	101,6 / 4"	76,1 / 3"	76,1 / 3"	76,1 / 3"	101,6 / 4"	76,1 / 3"		
J2 <sup>1</sup>		51 / 2"	76,1 / 3"	76,1 / 3"	63,5 / 2,5"	63,5 / 2,5"	101,6 / 4"	76,1 / 3"		

<sup>1</sup> Other dimensions available on request. ESE01863/8

## Flow chart



**Note!** If Clear Flow impeller is mounted the performance can be up to 10% lower than shown on the curves above

## Options

- Impeller with reduced diameter.
- Flushed shaft seal.
- Double mechanical shaft seal.
- Rotating seal face of Silicon Carbide.
- Product wetted elastomers NBR, FPM or FEP.
- ½" vertical drain connection.
- Product wetted surface finish mechanically polished to  $Ra \leq 0.8 \mu\text{m}$ .
- Surface finish measurement with certificate ( $Ra \leq 0.8 \mu\text{m}$ ).
- Inducer (LKH Evap 10 to 50).
- Adjustable pads.
- Motor for other voltage and/or frequency.
- Half speed motor.
- Motor with increased safety/flame proof motor.

## Ordering

Please state the following when ordering:

- Pump size.
- Connections.
- Impeller diameter.
- Motor size.
- Voltage and frequency.
- Flow, pressure and temperature.
- Density and viscosity of the product.
- Options.



**Note!** For further details, see also instruction manual.

This document and its contents are subject to copyrights and other intellectual property rights owned by Alfa Laval Corporate AB. No part of this document may be copied, re-produced or transmitted in any form or by any means, or for any purpose, without Alfa Laval Corporate AB's prior express written permission. Information and services provided in this document are made as a benefit and service to the user, and no representations or warranties are made about the accuracy or suitability of this information and these services for any purpose. All rights are reserved.

## How to contact Alfa Laval

Up-to-date Alfa Laval contact details for all countries are always available on our website at [www.alfalaval.com](http://www.alfalaval.com)